

# Four Steps to Building Smarter RF Systems with MATLAB

## Introduction

In this paper, we present an approach for modeling and simulating RF systems that provides a more flexible and fluid design workflow than traditional methods. With better modeling and simulation tools, RF and communications engineers can rapidly develop ideas, validate designs, and build more robust RF systems.

As the spectrum becomes increasingly occupied by new standards for mobile communication, Internet of Things, and radar applications, RF front ends must become adaptive and agile in order to co-exist, mitigate against interfering signals, and handle requirements such as:

- Efficient use of available spectrum
- Standards for higher data rates and lower latency
- Lower power consumption

These requirements as well as advances in device integration are causing RF front ends to become highly complex, adaptive systems. As a result, RF system design is no longer an art that you can perform in isolation. System-level models that integrate RF and digital design can reduce risk and improve communication across engineering teams.

Consider the common challenge of meeting requirements that change several times in the design cycle. Design engineers can use these system-level models to capture requirements in executable specifications. They can explore ideas and tradeoffs, optimize system performance, and better communicate with customers and suppliers. A unified RF system modeling and simulation environment enables faster design iterations and fewer design errors, which directly translate to competitive advantages.

## Current Workflows, Existing Tools, and Their Limitations

Currently, RF system architects use spreadsheets to perform initial calculations, capture the high level specifications and evaluate power and noise budget, and explore the frequency plan with simple equations. However, static spreadsheets soon grow into monsters of macros used to cover many different scenarios. These spreadsheets often include tabs and layers of complex computations that rely on hard-to-validate assumptions. The spreadsheet method is difficult to maintain and share across a large organization and multiple projects. For this reason, many system architects switch to MATLAB® for greater clarity and control.

While MATLAB is well known for scripting, automation, and signal processing, it also offers tools for RF system design and analysis. These tools provide accurate estimates of RF effects and impairments within adaptive architectures as well as automated creation of behavioral models for simulation. This workflow allows you to develop and validate designs more rapidly and debug problems before building hardware prototypes.

### How Better Tools for Modeling and Simulation Help Designers

The first step in this workflow is to simulate the full system including accurate models of the RF effects. This approach overcomes limitations of traditional approaches to RF design and simulation. For example:

- Abstract models of the RF behavior such as equivalent baseband [1] are not sufficient, because they cannot be used to explore direct conversion architectures and to anticipate the effects of out-of-band interferers.
- Transient simulation is relatively easy to set up and understand, but is too slow to encompass the simulation of the full RF front end. Traditional circuit design tools do not offer the simulation performance necessary for system-level design.
- Dedicated RF simulation tools are suitable for RF experts but are hard for system architects and digital communications engineers to set up.

System engineers need fast simulation tools that are suitable for complex architectures including signal processing algorithms and control logic, while accurately accounting for RF effects. These tools close the loop between system and RF design during specification, implementation, verification, lab prototyping, and testing.

### MATLAB and Simulink for RF System Design

In the following sections, we illustrate this workflow using MATLAB and Simulink® for designing an RF receiver. We start with the specifications and analysis of the receiver, and show how to refine the front-end architecture with a model that includes control algorithms and an accurate description of the RF impairments.

We conclude by modeling and simulating the Analog Devices® AD9361 transceiver. The AD9361 [2] is an agile, high-performance RF transceiver that transmits and receives wideband wireless signals ranging from 70 MHz to 6.0 GHz. This general-purpose high-speed analog module is used for software-designed radio applications, MIMO radio, point-to-point communication systems, femtocell/Pico cell/microcell base stations, Wi-Fi, and ISM applications.

The workflow consists of four major stages (Figure 1):

- 1) Static RF budget analysis
- 2) Design of RF architecture
- 3) System integration
- 4) Validation with measured data

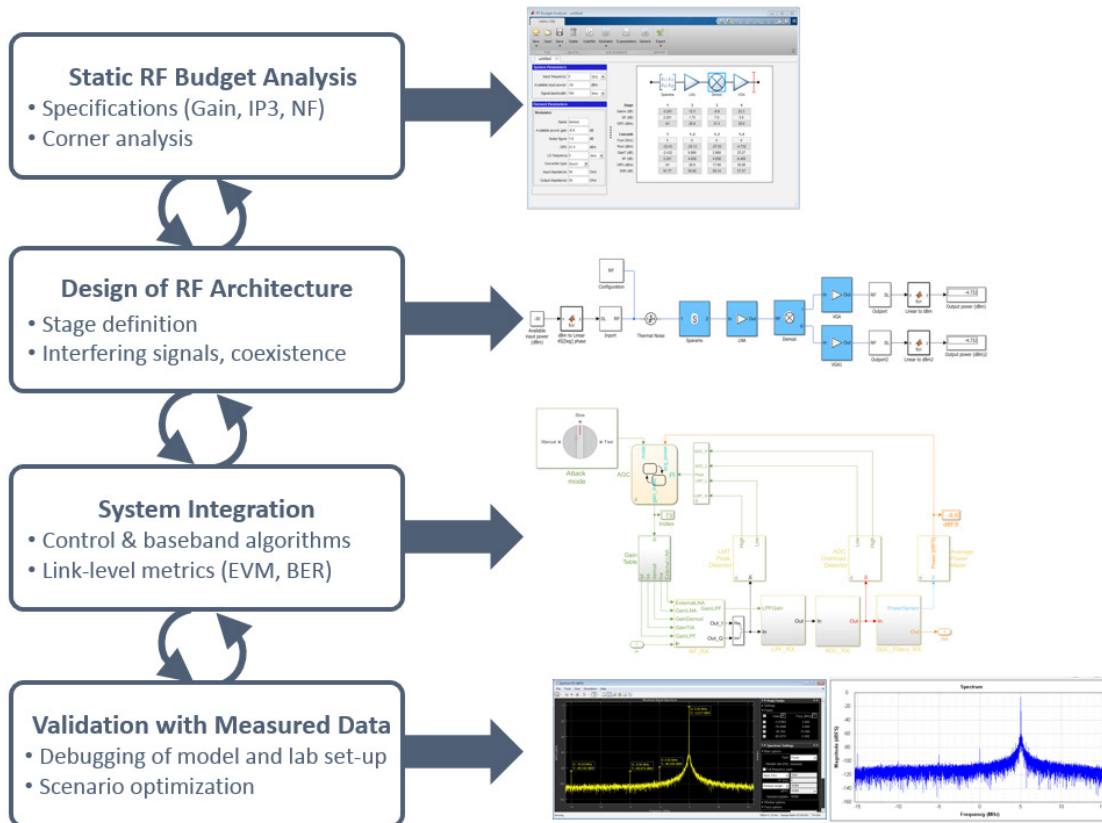


Figure 1. Design workflow implemented with MATLAB and Simulink. Starting from the specifications, you can refine the RF model to include control and baseband algorithms, and validate the simulation results against lab measurements.

## Static RF Budget Analysis

You begin by designing an RF receiver from its specifications. Instead of using a spreadsheet, you can use the RF Budget Analyzer app in RF Toolbox™ [3] to analyze the noise, power, and linearity budget of the receiver and to evaluate different scenarios and operating conditions. This app allows you to analyze the RF receiver using drag-and-drop blocks. If you do not want to build the receiver from scratch, you can use the receiver template that the app provides. This app eliminates the need for custom spreadsheets to calculate the RF budget of your system [4].

The RF Budget Analyzer app does static RF analysis of the chain at a single frequency. This analysis includes output frequency, output power, gain, noise figure, output-referred third-order intercept point (OIP3), and signal-to-noise ratio (SNR). The app computes the noise and power budget, taking into account impedance mismatches between the blocks; this allows you to examine different realistic configurations. For example, you can select and evaluate third-party off-the-shelf components using S-parameters derived from vendors' data sheets or from measurements.

You can use the graphical interface of the RF Budget Analyzer app to design the RF transceivers, or use a MATLAB script to automate the analysis for multiple scenarios. You can generate a MATLAB

script from the app (Figure 2). You can also visualize a chain that has been scripted in MATLAB using the app. This approach enables you to rapidly explore different what-if scenarios, perform corner analysis, or optimize the chain. You can also define a multi-objective cost function, and use Optimization Toolbox™ to find the optimal parameters for the RF chain.

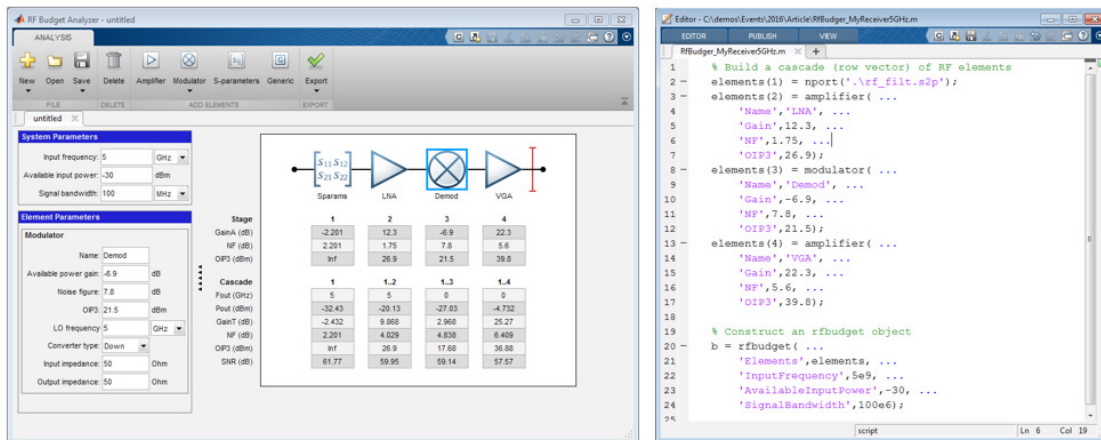


Figure 2. RF budget analysis using the RF Budget Analyzer app (left) and automatically generated MATLAB code (right).

## Design of RF Front-End Architecture

Once you are satisfied with the static budget analysis, you can automatically generate an RF Blockset™ [5] model from the receiver constructed using the RF Budget Analyzer app. The model block diagram represents the architecture of the receiver, using superheterodyne and homodyne architectures depending on the value of the intermediate frequency (Figure 3).

RF Blockset provides fast multicarrier circuit envelope [6] simulation of RF behavioral models that execute within a time-domain, system-level Simulink simulation. The automatic generation of the RF model allows you to rapidly get started with circuit envelope simulation and guarantees consistency between analytical computations and simulation results. You can simulate a multi-carrier frequency system with realistic complexities in the time domain to go beyond purely analytical computations.

You can use the circuit envelope approach to simulate the receiver behavior in different configurations and scenarios. This workflow allows you to iterate more rapidly from specifications to architecture definition, and to take into account scenarios that are otherwise difficult to anticipate. Circuit envelope simulation leverages harmonic balance technology to simulate the effects of odd- and even-order non-linearity, reciprocal mixing, and in-band and out-of-band interfering signals.

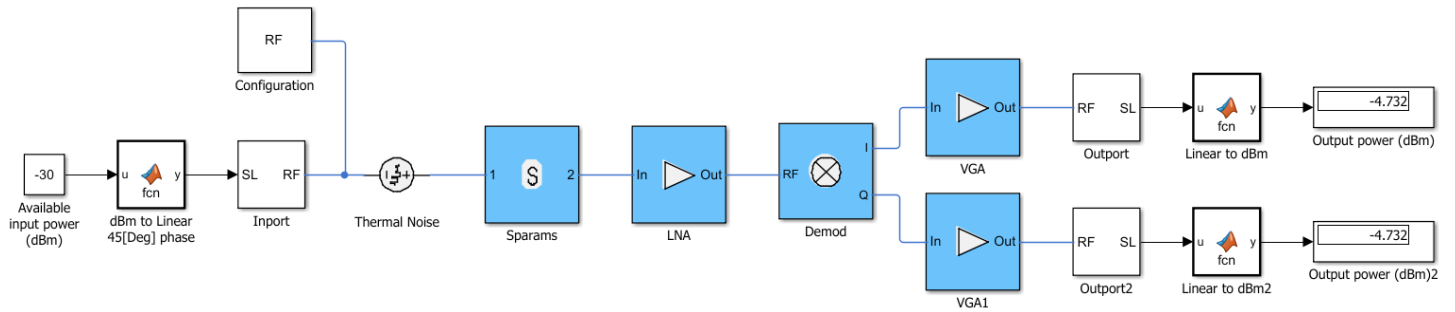


Figure 3. RF Blockset circuit envelope model that represents a direct conversion receiver. The quadrature architecture has been automatically generated from the RF Budget Analyzer app.

### Verification of RF Performance and Model Refinement

You can also produce a measurement test bench from the RF Budget Analyzer to simplify the validation of your design (Figure 4). The measurement test bench is a Simulink model that produces a stimulus to test the performance of the receiver, which is the device under test or DUT. To validate your system, the test bench lets you compare the values of Gain, Noise Figure, and OIP3 in the simulation and make sure they are the same. For example, the test bench allows you to verify that your receiver is operating correctly in mildly nonlinear conditions.

With circuit envelope simulation, you can elaborate your model to include a more detailed description of the RF effects compared with the analytical results. You can use the same test bench to verify aspects of performance that are hard to validate analytically such as IP2, DC offset, and image rejection. This approach allows you to further elaborate the model and include impairments such as even-order nonlinearity, LO leakage, and I and Q imbalance.

The test bench reproduces the lab conditions for testing a device. For example, the performance of a direct conversion receiver can be measured on the I or Q branch at an arbitrary low frequency. Without the automatic model and test bench generation, users are required to repeat over and over again the manual task of describing the desired architecture and validating its performance. This approach greatly simplifies the design process of linking the paper specifications to an architecturally correct executable model.

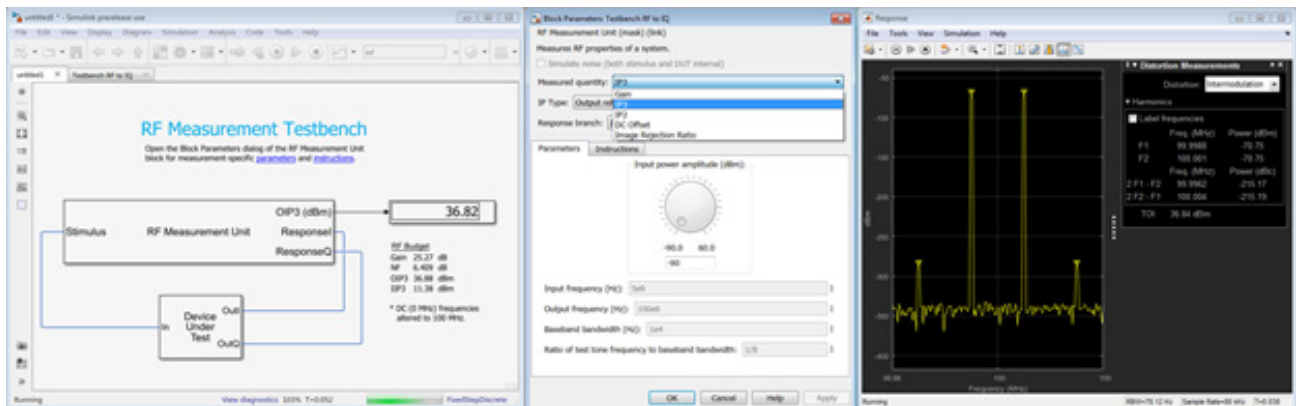


Figure 4. Test bench automatically generated from the RF Budget Analyzer app to validate the receiver performance.

### System Integration

RF system simulation using Simulink and RF Blockset is unique because it enables you to place the RF model into a full system simulation. You can integrate signal processing algorithms and control logic with the RF front-end model to calibrate and compensate for RF impairments. For example, you can stream a baseband-modulated signal through your RF receiver, and evaluate the received constellation and error vector magnitude. By simulating, testing, and validating the entire receiver, you can understand how the full system works, without relying exclusively on the paper documentation and lab measurements. Not only do you gain confidence in the design but also a better understanding of the lab testing conditions for the device.

As an example, the model [7] in Figure 5 represents the executable specifications of the AD9361, and accurately predicts the timing and spectral performance of the transceiver. The model transparently reproduces the actual chip architecture. By exposing internal nodes that are otherwise not accessible in a single-chip solution, the model provides insightful metrics. The model parameters have the same name as the chip registers, allowing you to rapidly configure the system using simulation. The alternative is to rely on over specification and expensive lab testing later in the development process.

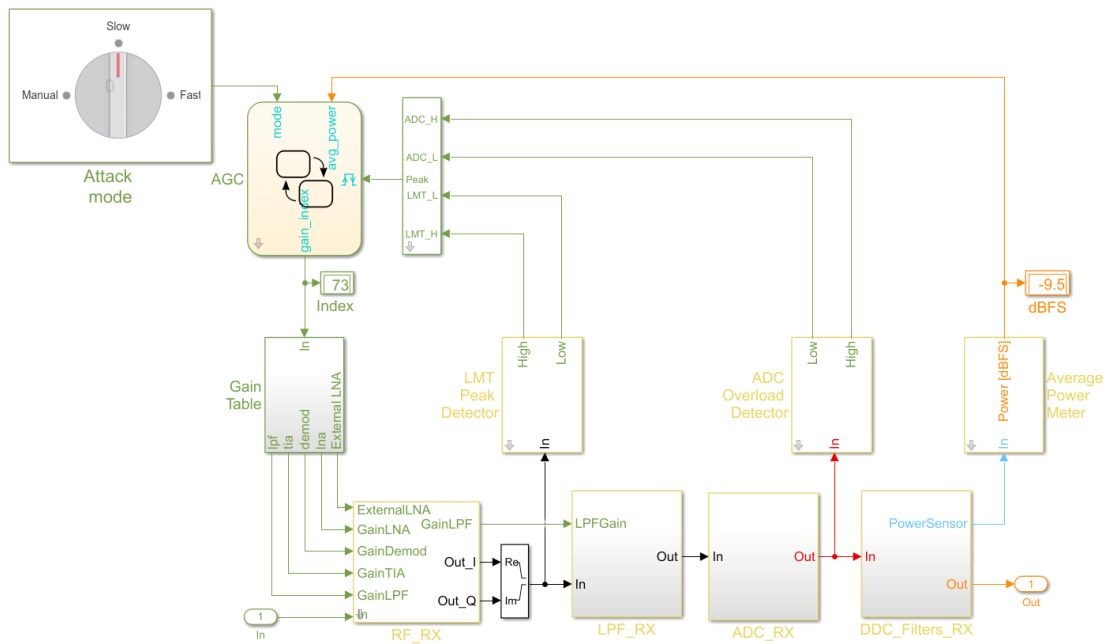


Figure 5. Receiver architecture of the Analog Devices AD9361. The feedback loop implements the automatic gain control based on the received signal strength.







after the down-conversion filters has a longer timing dynamic and allows the system to settle the average signal power within the desired range.

You can use the AD9361 transceiver model to simulate the chip behavior when receiving an LTE signal and assess the receiver performance in different scenarios and configurations. For example, you can specify different filter configurations, taking into account narrowband and wideband interfering signals with different power levels. With LTE System Toolbox™ you can generate standard-compliant LTE reference signals and measure the transceiver EVM and ACLR, or test fast and slow gain-control modes in conjunction with TDD and FDD signals (Figure 7).

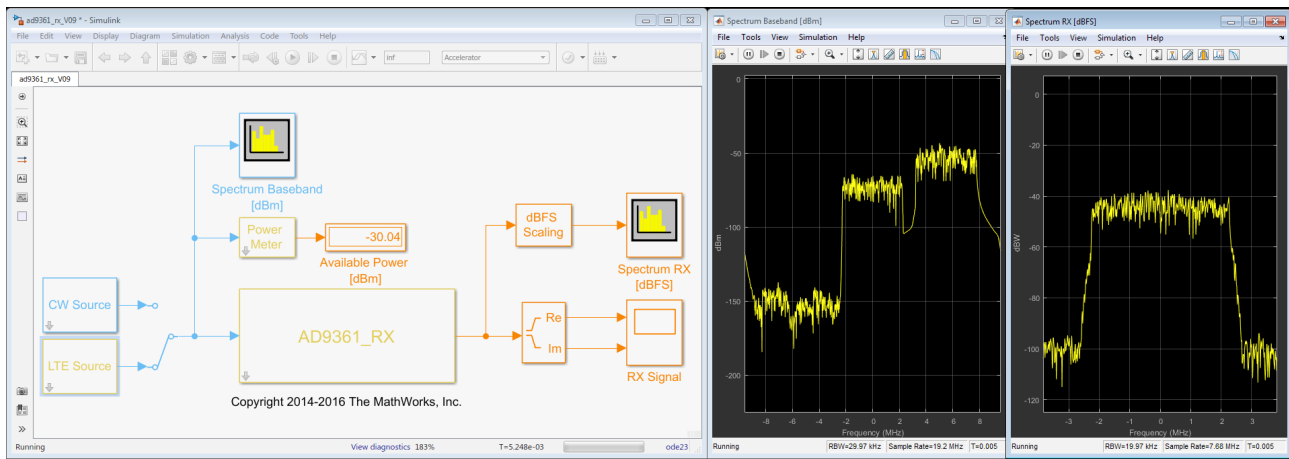


Figure 7. Test bench for testing an Analog Devices AD9361 receiver with an LTE-compliant signal in the presence of an adjacent in-band wideband interfering signal.

### Model Validation with Measured Data

The RF front end model has been initially developed with the RF Budget Analyzer app, extended to include a more detailed description of the impairments, and validated with the automatically generated test bench. Measurements from the actual device have been embedded in the refined model in the form of look-up tables, providing accurate results.

A multidimensional look-up table that is a function of the instantaneous gains setting allows you to simulate the system IP3, IP2, DC offset, and IQ imbalance. When the gain changes, the actual

impairments also change, thus predicting the actual system performance. The look-up table with the input-referred impairments was measured in the lab by Analog Devices. The table is interpolated to provide accurate results in all operating conditions.

By using the circuit envelope solver within a system-level simulation, accurate results can be obtained without compromising simulation speed. On a Lenovo T450s laptop, the model simulates 1ms of data in approximately 20 seconds of real time, enabling processing of entire LTE frames. This simulation speed and level of accuracy is unachievable with traditional tools.

The AD9361 model employs a top-down design methodology to achieve bottom-up verification. The model provides visibility into the device architecture and signal path. During the development process, details can be added to progressively refine the model: Initially the model used nominal specifications, and through iteration the model becomes more accurate by embedding parameters determined through system simulation and the device measurements. You can use the AD9361 model to configure the numerous device registers rather than spending time in the lab building test conditions that are hard to reproduce.

## Conclusion

MATLAB and Simulink provide an easy-to-use, flexible, and end-to-end workflow that helps you keep up with advances, requirements, and challenges in RF system design and verification. RF Blockset helps you analyze, simulate, and test an RF system before manufacturing it. With RF Toolbox and its RF Budget Analyzer app, you can calculate the RF budget to confirm the basic specifications required to design the system. Using RF Blockset, you can simulate the entire RF front-end architecture including interfering scenarios and coexistence with other systems. Once you have simulated your RF architecture, you can validate it using the measurement test benches and further elaborate the model to explore scenarios, evaluate design choices, and debug prototyping problems in realistic conditions.

Models of Analog Devices transceiver chips available with RF Blockset provide an example of these capabilities. You can download models of the agile transceiver AD9361 and wideband transceiver AD9371 from [mathworks.com](http://mathworks.com) to develop cutting-edge system-level models to share with your colleagues, suppliers, and customers. With the comprehensive and expressive modeling solution these tools provide, you can simulate end-to-end wireless communication systems that embed sophisticated control logic and highly adaptive signal processing algorithms.

## References

- [1] Create a Complex Baseband-Equivalent Model with RF Blockset  
[mathworks.com/help/simrf/ug/create-a-complex-baseband-equivalent-model.html](https://www.mathworks.com/help/simrf/ug/create-a-complex-baseband-equivalent-model.html)
- [2] AD9361 Reference Manual - [http://www.analog.com/media/en/technical-documentation/user-guides/AD9361\\_Reference\\_Manual\\_UG-570.pdf](http://www.analog.com/media/en/technical-documentation/user-guides/AD9361_Reference_Manual_UG-570.pdf)
- [3] RF Toolbox - [mathworks.com/products/rftoolbox](https://www.mathworks.com/products/rftoolbox)
- [4] RF Budget Analyzer App - [mathworks.com/help/rf/ug/rfbudgetanalyzer-app.html](https://www.mathworks.com/help/rf/ug/rfbudgetanalyzer-app.html)
- [5] RF Blockset – [mathworks.com/products/rfblockset](https://www.mathworks.com/products/rfblockset)
- [6] Circuit Envelope Fundamentals: Simulate High Frequency Components with RF Blockset -  
[mathworks.com/help/simrf/gs/minimize-computations-for-rf-simulations.html](https://www.mathworks.com/help/simrf/gs/minimize-computations-for-rf-simulations.html)
- [7] Download RF Blockset Models of Analog Devices Transceivers  
[mathworks.com/hardware-support/analog-devices-rf-transceivers.html](https://www.mathworks.com/hardware-support/analog-devices-rf-transceivers.html)

## Learn More

Webinar: *Design of Wireless MIMO Systems: From RF Specifications to Architecture Exploration*

Code Examples: *Superheterodyne Receiver Using RF Budget Analyzer App*

Request Trial: *RF Blockset*